



**User
Manual**
BØRRESEN
LOUDSPEAKER

BØRRESEN

01

BØRRESEN

02

BØRRESEN

03

BØRRESEN

05

Contents of this User Manual

Warranty information	2
Welcome, a word from the developer	3
Unpacking and assembling the BØRRESEN 01	4
Unpacking the BØRRESEN 02, 03 and 05	6
Positioning the loudspeakers in your home.....	8
Connecting the loudspeakers to your system.....	9
Choice of speaker wire.....	10
Running in the new loudspeakers	10
Maintenance.....	11

Important

Check the serial number, you find the serial number on the label placed above the connector box on the back of the loudspeaker. Also check that the serial number matches the serial number, stated in your invoice.

Please contact your dealer if there is no serial number on the invoice, if the serial number on the invoice is wrong or if there is no serial number on the loudspeaker.

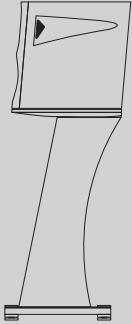


BØRRESEN Acoustics provides an extended warranty of 5 years against production defects on all products according to our policy:

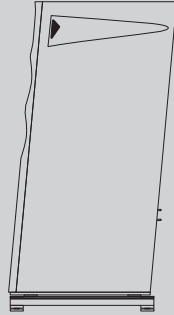
<http://www.borresen-acoustics.com/warranty>

The BØRRESEN loudspeakers

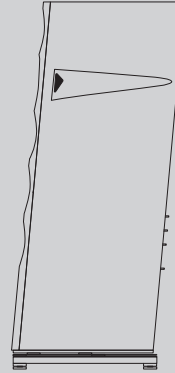
BØRRESEN 01



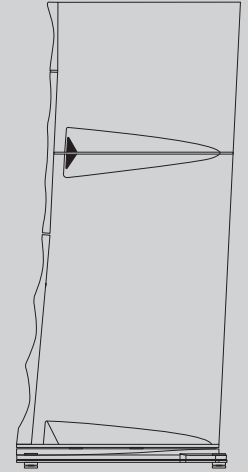
BØRRESEN 02



BØRRESEN 03



BØRRESEN 05



Welcome

Congratulations with your new BØRRESEN loudspeakers. Rest assured that your choice of this BØRRESEN loudspeaker will provide you with an exquisite music experience and let you enjoy the music that you love, just as intimate and close that it was originally performed by the artist them selves.

To achieve the best performance i recommend that you carefully read this guide before setting up your new loudspeakers.

More information is available on www.borresen-acoustics.com



Michael Børresen,
CVO and Co-founder of BØRRESEN Acoustics

Unpacking the BØRRESEN 01 Loudspeakers

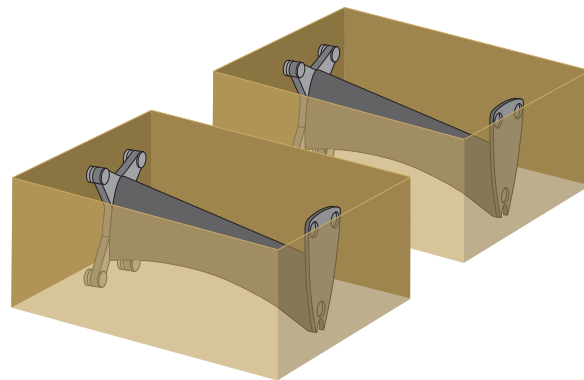
BØRRESEN Loudspeaker models are protected during transport by stable and secure packaging. Due to their weight and dimensions, they are shipped in a special, double layer box.

Unpacking:

Please consult your BØRRESEN dealer who in most cases will unpack and set up your new product.

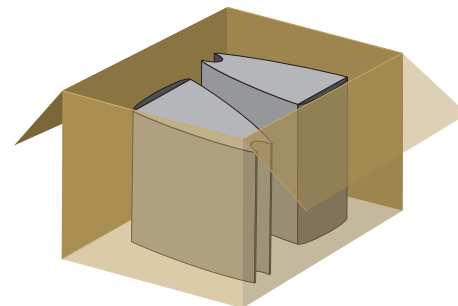
To unpack the BØRRESEN 01 - stands : **C**

1. Carefully lay the transport boxes flat on a plane floor.
2. Open the outer box, do not use knife or sharp instruments to break the tape.
3. Remove the top foam and carefully lift the stand from its place.
4. Repeat this with the other stand box.
5. Place the stands where you want them, and prepare both stands for mounting the loudspeaker.



To unpack the BØRRESEN 01 - loudspeakers: **A**

1. Carefully lay the transport box flat on a plane floor.
2. Remove the straps from the outer carton and pull the lid to reveal the inner box.
3. Open the inner box, do not use knife or sharp instruments to break the tape.
4. Remove the top foam and find the 2x3 Darkz decouplers **B**.
5. Place the Darkz, one in each of the three pits on the stand **D**.
5. Carefully lift the first loudspeaker out of the box and place it, fitting the Darkz to the pits beneath the speaker **D**. Repeat with speaker 2.
6. Check that the Loudspeaker is fixed firmly to the stand/Darkz in a sideways direction.
7. The speakers is not supposed to be fixed in upwards direction.



What is in the boxes

A In one box you find your B01 speakers.

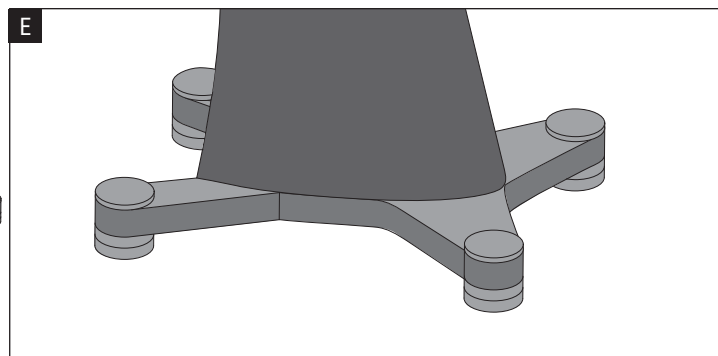
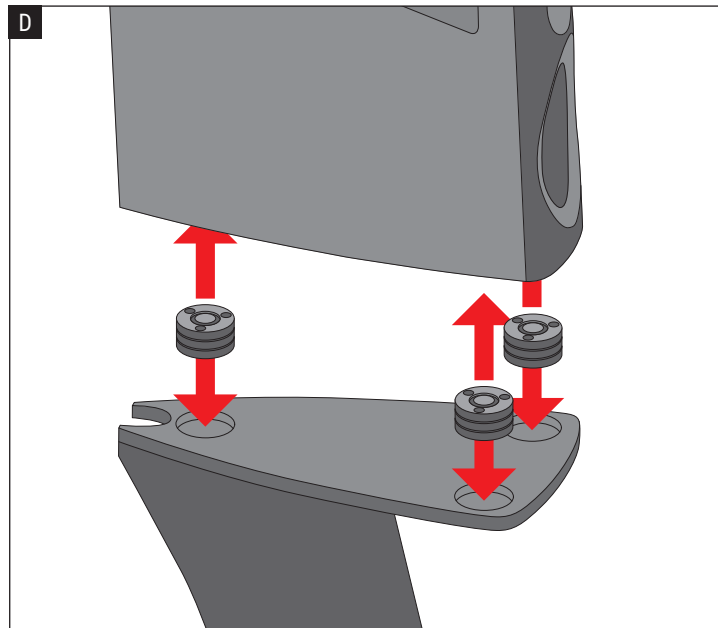
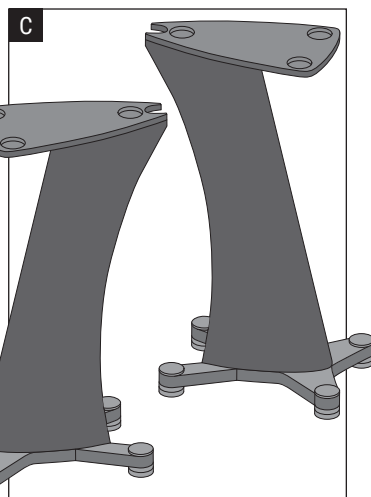
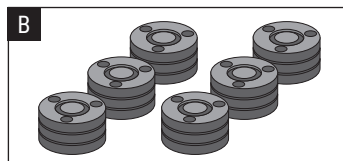
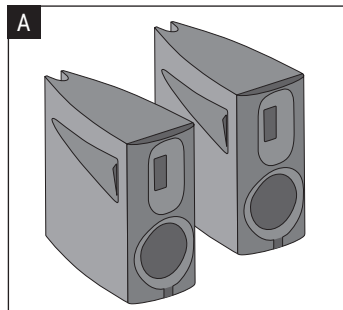
Both speakers will be in one box.

In this box you can also find the Darkz decouplers **B**, in the quality level ordered with the speakers.

The box will also contain a pair of white gloves, please use them when handling the speakers and stands (take care not to drop anything).

Finally there will be a screwdriver to adjust and fix the corner screws on the feet **E**.

C There will be two boxes with stands, one for each speaker.



Unpacking the BØRRESEN 02, 03 and 05 loudspeakers

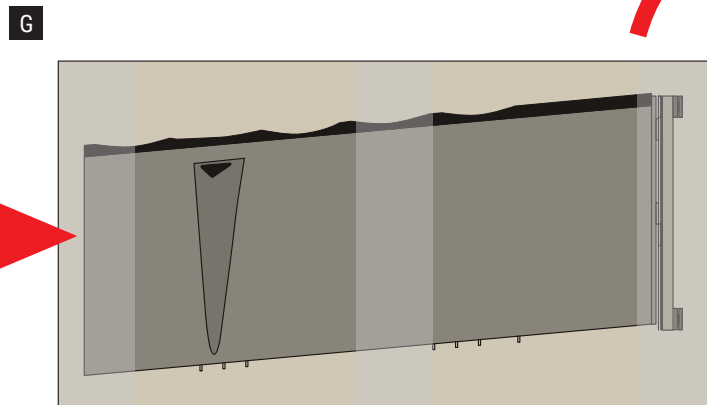
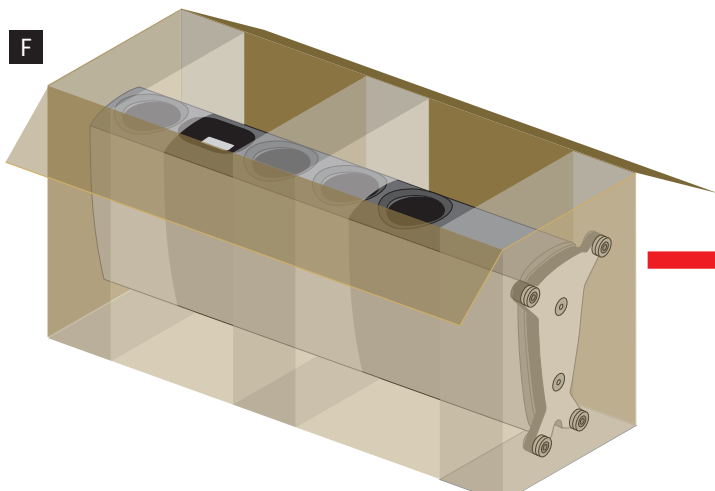
BØRRESEN Loudspeaker models are protected during transport by stable and secure packaging.

Due to their weight and dimensions, they are shipped in a special, double layer box. The BØRRESEN 05 in a wooden box

Unpacking:

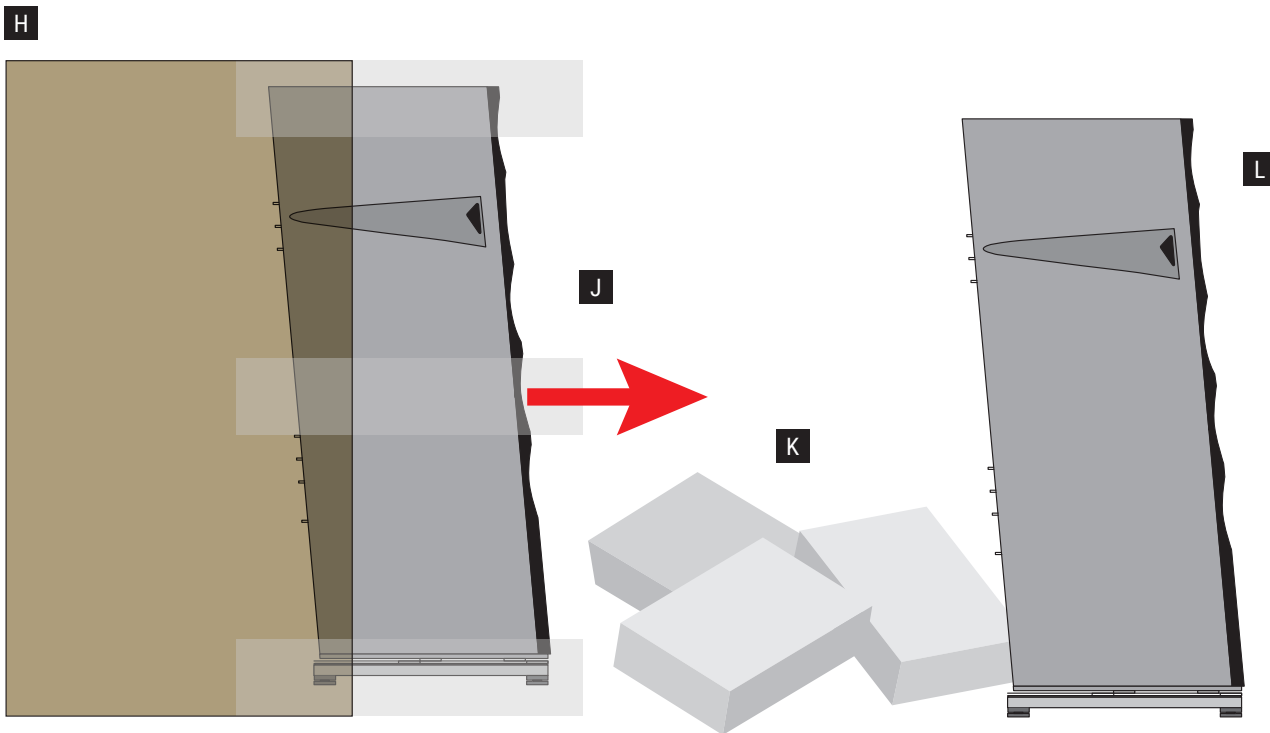
Please consult your BØRRESEN dealer who in most cases will unpack and set up your new product.

1. Carefully lay the transport box flat on a plane floor **F**.
2. Remove the straps from the outer carton and pull the lid to reveal the inner box.
3. Open the inner box, do not use knife or sharp instruments to break the tape **G**.
4. Put on the protective white gloves for further handling of the speaker.



5. Now, Lift the box to an upright position **H**.
6. Pull the speaker and the protective foam out of the box, sliding it on the bottom foam. Be carefull not to tilt **J**.
7. Remove the bottom foam by tilting the speaker and then the remaining foam to unpack the speaker completely **K**.

7. Still wearing the white gloves, put the speaker to the position you desire **L**.
8. Please observe guidelines for positioning and connecting your speakers on coming pages in this manual.



Positioning

The sound from speakers depends very much on the room and on the way they are set up. Please consult your dealer for advice on how to setup your Børresen speakers in your home.

These guidelines are general and will give you a good starting point for further experimenting in finding out what is just the right setup for your room.

A the distance from the side walls to the speakers **N**

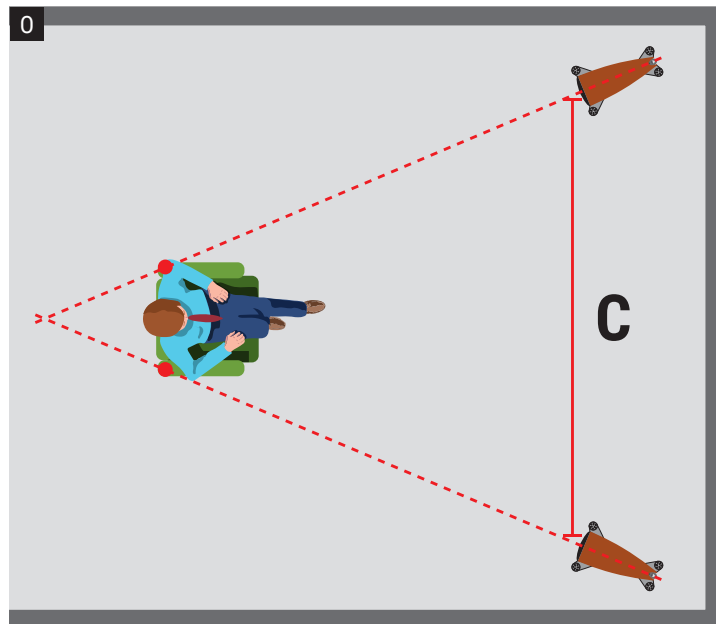
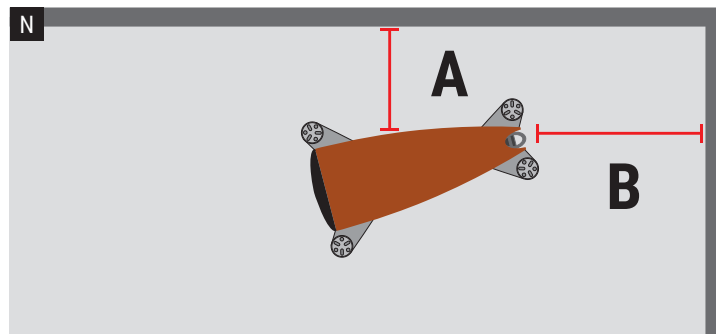
The Børresen speakers are not that sensitive in regard to getting to close to sidewalls, a distance of about 15 cm will be enough. To short a distance to the side walls is likely to increase the amount of bass.

B the distance between the rear of the speakers and the wall behind them. Start with a distance of 50 cm. This distance should be exactly the same for both speakers. Try the speakers out with music you know and find out what distance gives the best sound.

Greater distance = weaker bass, more precise bass, better precision and bigger sound stage. *Shorter distance* = more and softer bass, smaller sound stage.

C the distance between the speakers and the listener **O**

The ideal distance between the speakers is not less than 3 metres. Put the speakers in an angle making the center point at the listeners shoulders. The lines should cross about one meter behind the listeners head, meaning that the listener should just be able to see the two inner sides of the speakers.



P

Connecting the loudspeakers

1. Connect a two-pole (+/-) loudspeaker cable to the binding posts, located at rear of the loudspeaker **P**.

The high quality binding posts can accommodate only 4-mm-plugs ("banana plugs").

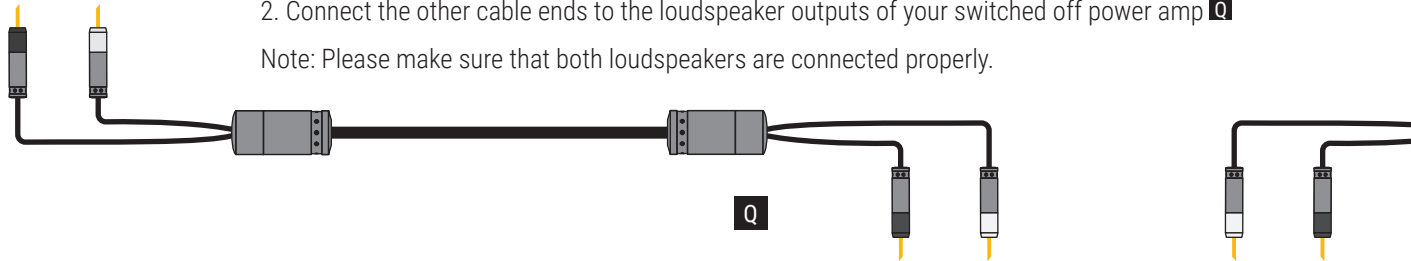
The pins can be put directly into the binding post without any tightening necessary.

Note:

- With every connection system, ensure that the contact is tight and has a proper contact area.
- Connectors with gold plating will typically offer the best results and remain corrosion-free.
- Please ensure that the positive and negative cables do not make contact with each other.
- Check the connectors from time to time to make sure that nothing has loosened.

2. Connect the other cable ends to the loudspeaker outputs of your switched off power amp **Q**

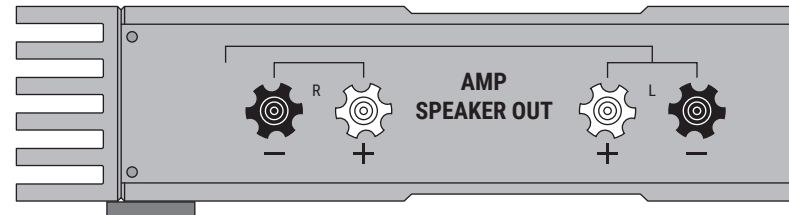
Note: Please make sure that both loudspeakers are connected properly.



CAUTION

Distorted output signals from too weak, defective or overloaded amplifiers may damage the loudspeakers.

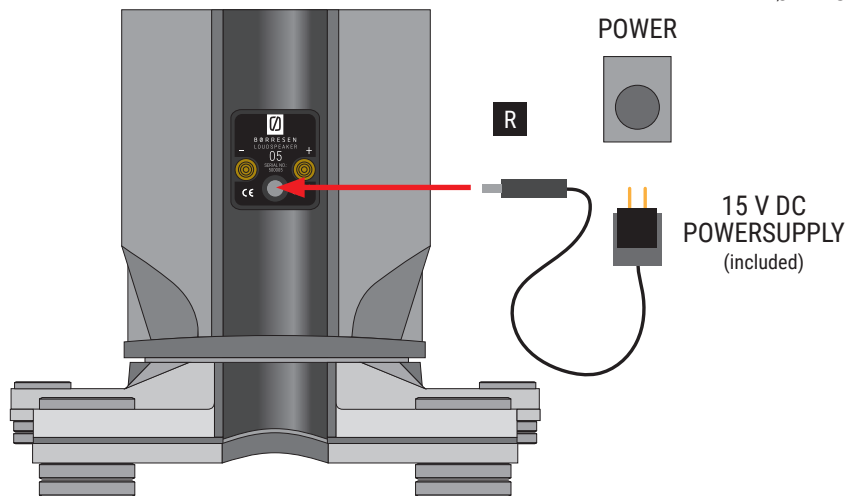
- Use high quality amplifiers only and run loudspeakers and amplifiers within specified power ratings.



Connecting BØRRESEN 05 to 15 V DC power

Your new BØRRESEN 05 loudspeaker comes with a powersupply you must connect to the speaker according to **R**.

Plug the powersupply into the wall outlet or even better to a high-end power distributor. Plug the power jack from the powersupply into the plug beneath the BØRRESEN 05 bindingposts on the back of the loudspeaker and turn on power.



Choice of loudspeaker cable

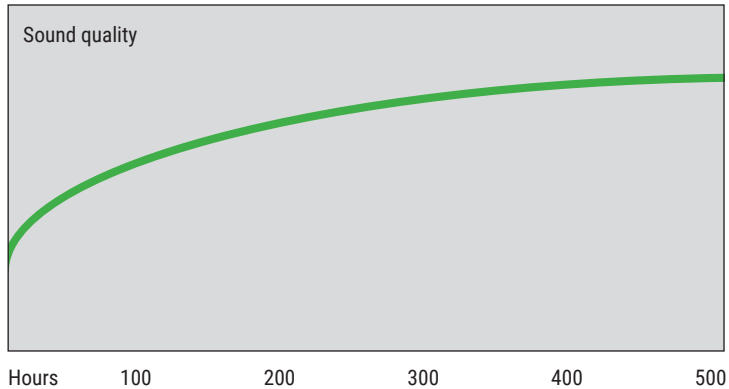
The impact a high quality speaker wire have on sound quality can be dramatic. The BØRRESEN loudspeakers are designed to be neutral and not specifically suited to any particular type of cable - any high quality speaker wire will sound great.

The BØRRESEN loudspeakers are developed very much with know-how and experience gained from years of developing Anszu cables and accessories in mind. So, sharing an almost identical DNA, you may experience a positive synergy connecting an Anszu speaker wire to your BØRRESEN speaker.

Please consult your BØRRESEN dealer for information about compatible loudspeaker cables that will suit both your music system and the BØRRESEN loudspeakers.

Running in new loudspeakers

All new high quality loudspeakers need a certain period of running-in time. As BØRRESEN Loudspeakers uses long-stroke bass driver with natural rubber surrounds, the loudspeakers needs at least 50 - 100 hours of actual music playing at decent sound level. You will notice a gradual improvement in sound quality. No particular precautions need to be taken during those hours.



Important

- Let the speaker reach room temperature before plugging it in. Condensation may arise in the electronic circuitry when moving the speaker from cold to warm surroundings. Such moisture may damage the speaker's components. Never use the product in damp settings.
- Foreign bodies must not be inserted into the bass reflex ports of the speaker.
- Avoid touching the speaker elements.

Maintenance

- Clean the surface of the speaker with firmly wrung damp cloths.

Take care not to

- use detergent. It may discolour the finish
- use a vacuum cleaner to remove dust from the speaker elements. Brush it away gently with a soft brush
- expose the cabinets to direct sunlight

The walnut veneer on the cabinet of the BØRRESEN loudspeakers will change its colour over time, this is natural. If exposed to sunlight the colour will get pale. If kept out of sunlight, the colour will patinate into a darker shade of the natural wood colour.

Adding more and better resonance control

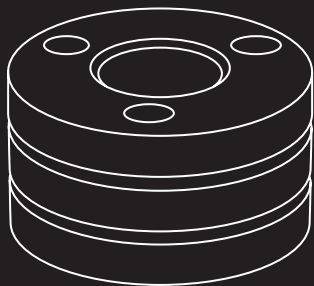
A significant upgrade from standard-mounted component feet.

BØRRESEN loudspeakers are designed for easy upgrade by adding Ansuz Darkz to the loudspeakers feet.

Darkz is a series of efficient devices to ground all components in a high-end audio system. They are mechanically tuned to allow vibrations a path out of the component and to keep various components individually isolated.

The sonic improvement caused by Darkz is undeniable and addictive.

Darkz are available in 4 Quality levels; D·TC, D2, C and A. Darkz can be easily fixed under the any of the BØRRESEN loudspeakers.



Ask your dealer for a demonstration



BØRRESEN

www.borresen-acoustics.com